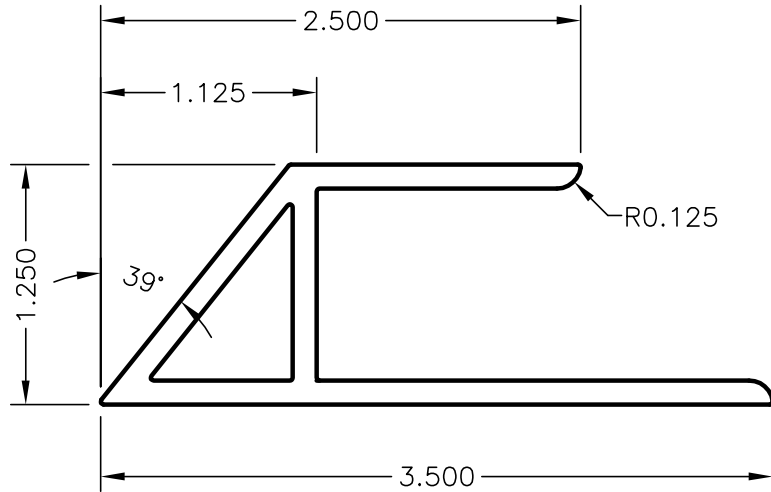


REVISIONS			
REV	DESCRIPTION	DATE	DWN
A	INITIAL RELEASE	10/4/04	DCH



Wall Thickness 0.125
 All Corners R0.015
 CSA = 0.908 sq in
 Weight = 0.568 lbs/ft

THIS PRINT AND THE INFORMATION CONTAINED HEREIN (PRINT) ARE THE CONFIDENTIAL AND PROPRIETARY PROPERTY OF DANBY, LLC. THE RECIPIENT WILL MAINTAIN THE PRINT IN STRICTEST CONFIDENCE UNLESS OTHERWISE SPECIFICALLY AUTHORIZED BY DANBY, LLC IN WRITING. THE RECIPIENT HAS NO RIGHTS RELATING TO THE PRINT AND, WITHOUT LIMITATION, SPECIFICALLY AGREES NOT TO REPRODUCE OR OTHERWISE UTILIZE THE PRINT FOR THE PURPOSE OF MANUFACTURE OR SALE.



Danby, LLC

8994 Fairbanks-N. Houston Rd.
Houston, TX 77064.

DRAWN	SJG	7/27/10
QC		
DIV		
PRES		

'J' PROFILE FOR PANEL LOK III-E

SCALE						DRAWING NUMBER	REV
1:1						10-100-0013	A